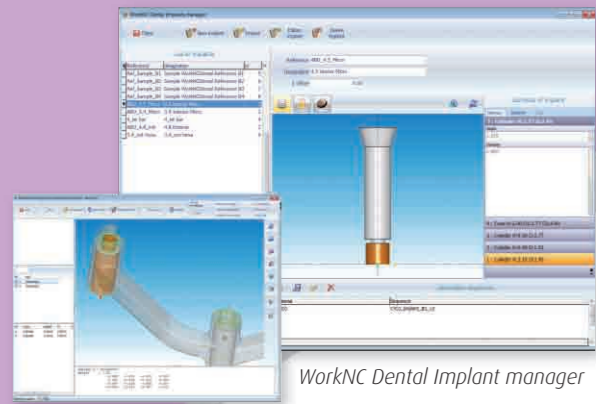


Fully Automatic Process



WorkNC Dental Implant manager



Automatic recognition

Implant CAM manager & automatic recognition,

- Direct import from Scan and CAD systems,
- Customized implant CAM library,
- Implant manager for creating implant connections,
- Automatic implant recognition,
- Automatic allocation of implant reference from the library



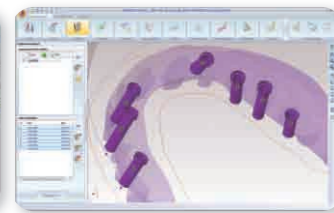
Internal and external customized abutments

So easy, it can be used by non experienced technicians

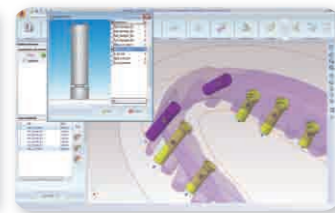
- One, single step in WorkNC Dental manages all features in the implant module,



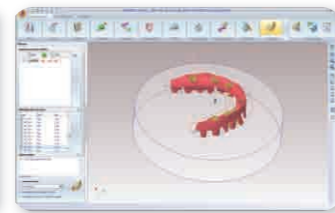
WorkNC Dental Implant module step



Automatic recognition or import of xml positioning file



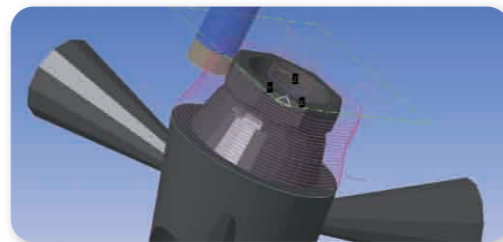
Interactive change of implant references



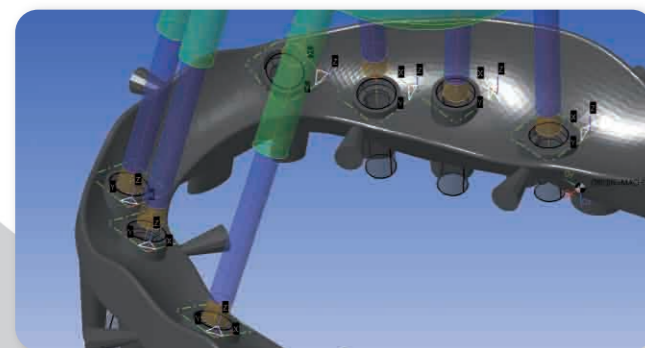
Automatic machining templates allocation linked to implant reference and materials

4 and 5 axis optimized machining toolpaths,

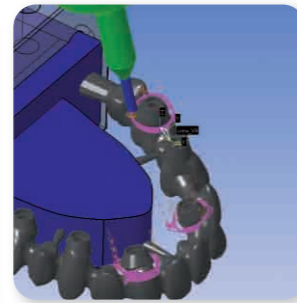
- Specific and dedicated implant machining templates,
- Brep geometry used for machining,
- Automatic Drilling template,
- Automatic 5 axis undercuts remachining,



Automatic 3+2 machining of connection



Automatic Drilling



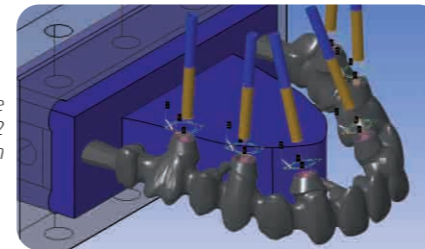
Automatic 5 Axis undercuts machining



CoCr Full implant bridge machining on 5 Axis machine



Titanium Implant bar machining on 5 Axis machine



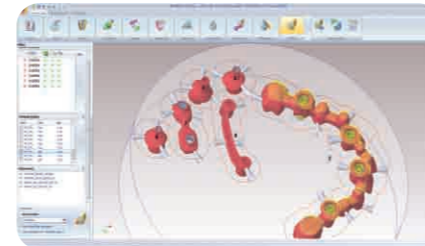
CoCr Bridge Automatic 3+2 machining of connection



Automatic 5 Axis undercuts machining



Cobalt Chrome Bridge



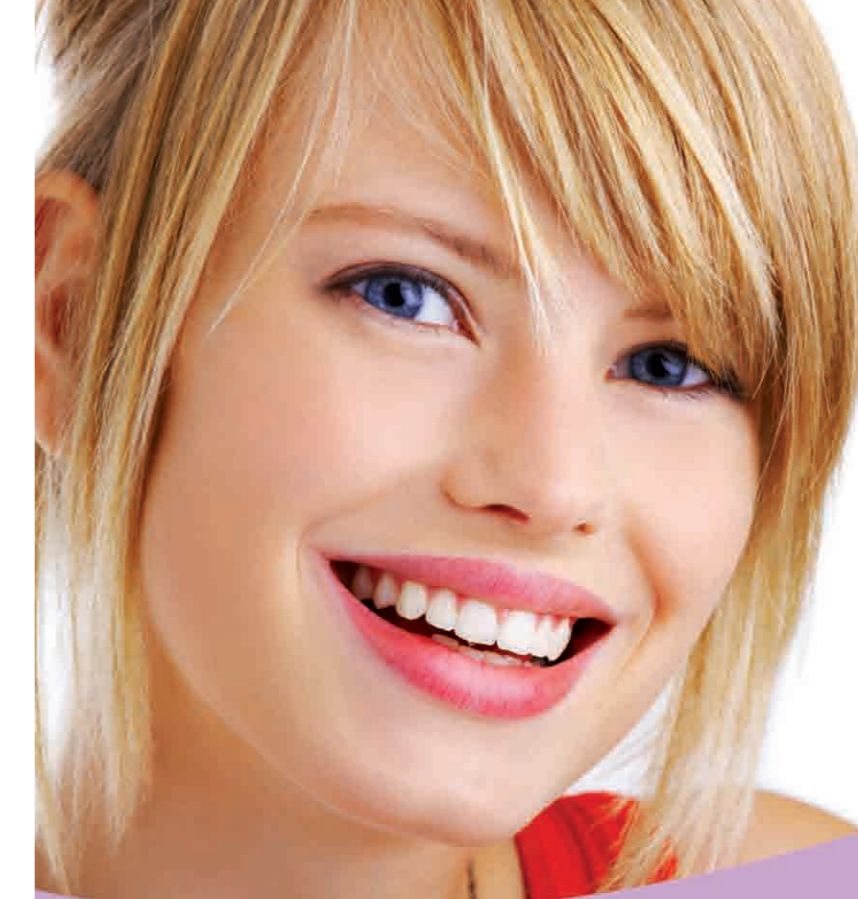
WorkNC Dental implant project



02/11 © 1987 - 2011 SESCOI International. SESCOI®, WorkPLAN®, MyWorkPLAN®, WorkNC®, WorkNC® CAD, WorkPlane3D®, WorkNC® Dental and their respective logos are registered trademarks of SESCOI International. Other trademarks mentioned in this brochure have been registered by their respective owners. Non-contractual information.

Design: ExeCo - info@exeeco.info / Photos ©Yuri Arcus Fotolia, ©SESCOI

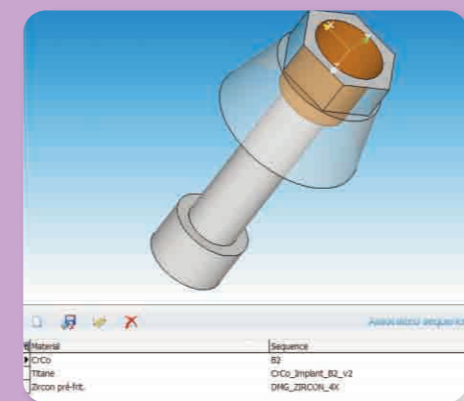
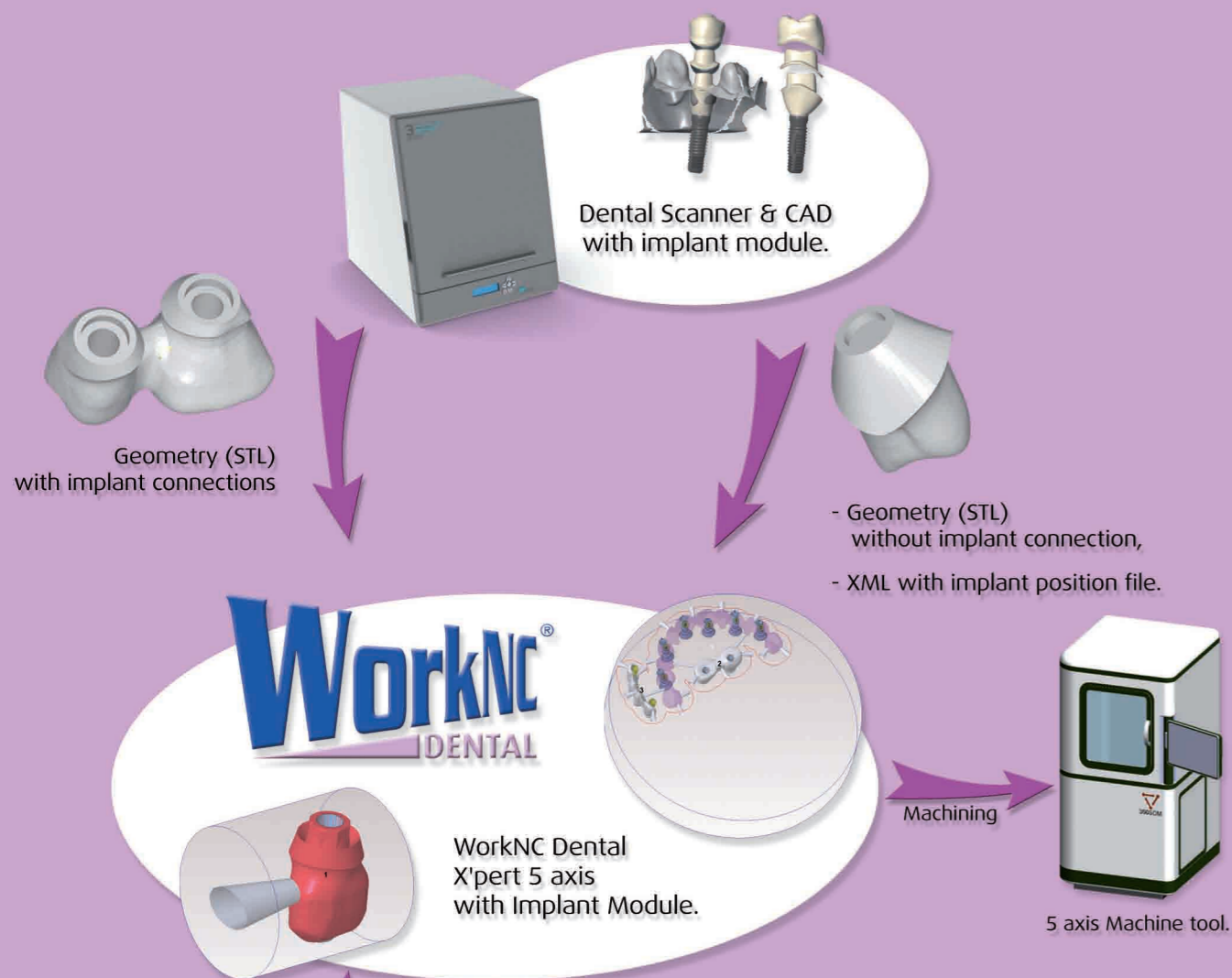
SESCOI INTERNATIONAL SAS
Boulevard du Général de Gaulle 71009 Macon Cedex - France
Tel. (+33) (0)385216621 - Fax (+33) (0)385216622
dental.sescoi@sescoi.fr - www.workncdental.com



Automatic Machining of Customized Abutments



Automatic and optimized abutment machining

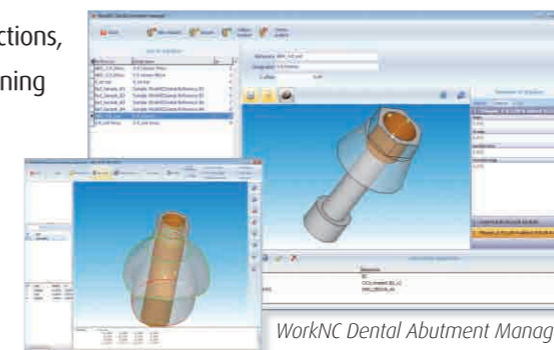


Template management by material for each type of abutment

WorkNC Dental Abutment Manager

WorkNC Dental Abutment manager enables you to create and control your abutments library. It gives you complete control of abutment geometries and it also allows the creation of additional data and meta information specific for optimized machining.

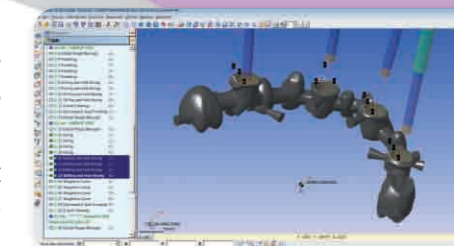
- Internal and External connections,
- Add on geometry for machining templates
- Definition of the abutment templates for each material



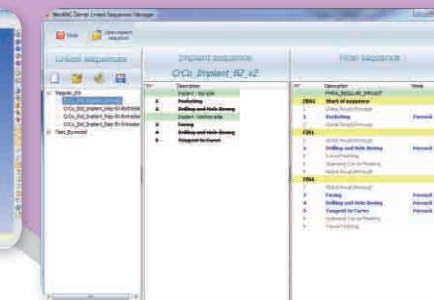
WorkNC Dental Abutment Manager

Intelligent machining templates

A new type of machining template brings full flexibility with real time construction from anatomy machining templates and dedicated abutment templates. These templates are automatically merged to provide optimized CAM programming, as if programming had been carried out by the hand of an experienced CAM programmer



Automatic templates merging - Fully automatic templates with tool change optimization



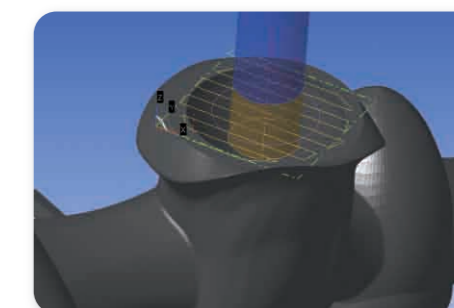
Template merging utility

Advanced WorkNC toolpaths from 2.5 to 5 axis

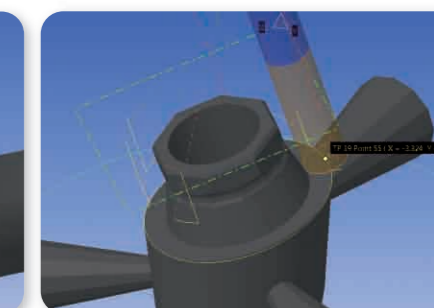
For nearly 25 years, WorkNC has been providing first class toolpaths for all its 3 and 5 axis strategies, avoiding air cutting and increasing tool life service, whether on soft and hard materials. The WorkNC Dental Implant Module benefits from these toolpaths, giving you a competitive advantage in customized abutment machining.

Automatic Drilling & Specific cutter type

- Automatic recognition of geometry for automatic drilling with a specific cutter,
- Customized cutter shape for specific abutments,
- Automatic drilling of hexagon abutment edges ...



Automatic abutment bridge drilling (facing, centering, drilling)



Cutter shape contouring

Customized abutment library and third party library

WorkNC Dental Implant Module allows you to create your own abutment library from your own data, from your suppliers' data, or to use the third party libraries available on the market.

- Automatic analysis tool for importing geometry files,
- Third party libraries in IGES, Step, STL or native formats.

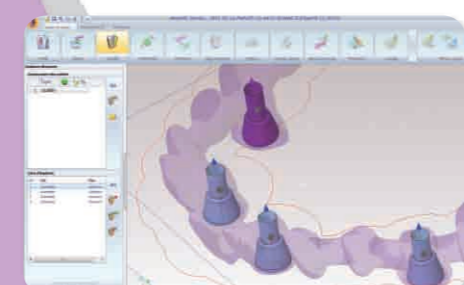


Implant library

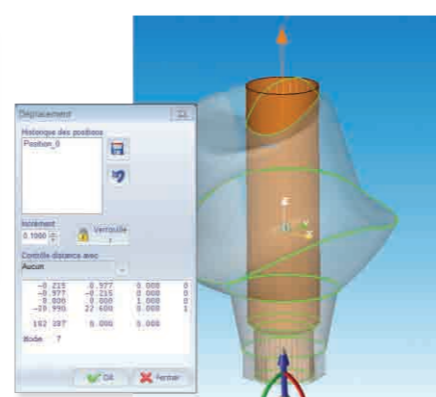


Automatic slicing of imported geometry

Automatic recognition & interactive, accurate placement tools



Automatic Recognition on full bridge



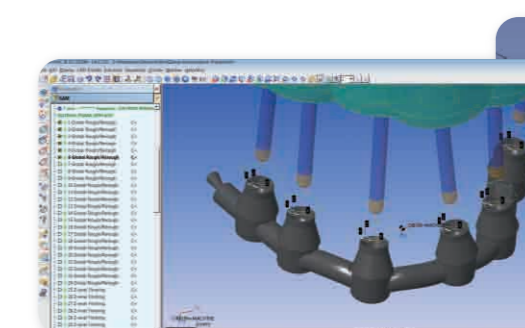
Manipulator for manual placement

WorkNC Dental uses advanced algorithms for all automatic recognition functions from hole recognition to automatic placement. All these functions are associated with powerful interactive tools for manual and accurate positioning

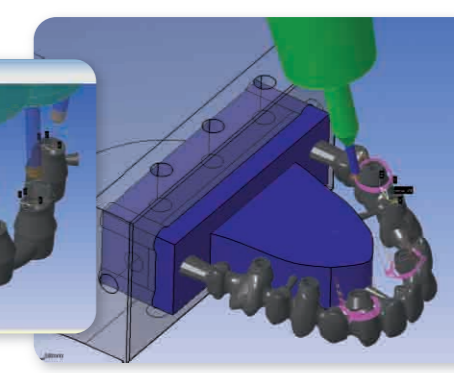
- Automatic positioning of abutments on the customized part,
- Accurate position from CMM information,
- Manual exchange of connections,

WorkNC Dental Implant Module

- Automatic Implant geometry replacement from library references,
- Interactive replacement from library,



Auto 3+2 machining



Automatic 5 axis undercuts remachining

Automatic 4 and 5 axis toolpaths

- Specific 5 axis toolpaths for automatic machining of abutment undercuts,
- Optimized machining templates for titanium and chrome cobalt,